

Glazing Insulating Glass Units into Beaded Steel Frames

Version No. 3

Issue Date: 17/12/12

Page 1 of 2

INTENDED USE

For steel frames with internal or external beads.

For Glazing Insulating Glass units into painted steel frames.

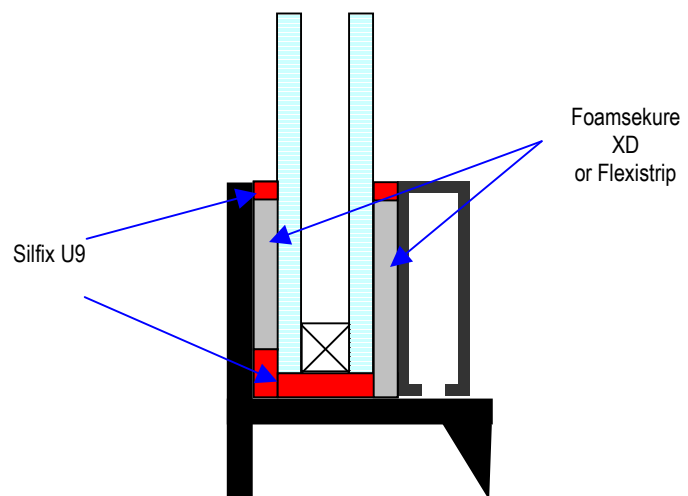
MATERIALS REQUIRED

Silfix U9 neutral cure silicone sealant

Foamsekure XD or Flexistrip

Glazing Blocks (see BS6262: 1982 clause 7.4)

Fixings to secure beads (usually supplied with frame).



PREPARATION / POINTS TO NOTE

All surfaces to be bonded should be clean, dry and free from any contaminates, grease or oil that could hinder adhesion.

It is important to select the correct thickness of Foamsekure XD/Flexistrip.

Foamsekure XD or Flexistrip should be a minimum of 3mm.

Foamtape XD requires 30% compression and also a minimum thickness after compression of 3mm.

If the rebate upstand is vertical and not sloped the silicone capping may not required. The use of Foamsekure XD at the sightline will be suitable.

Glazing Insulating Glass Units into Beaded Steel

Version No. 3

Issue Date: 17/12/12

Page 2 of 2

PROCEDURE

Cut correct lengths of Foamsekure XD or Flexistrip for back bedding, apply to rebate upstand 3 to 6mm below the sightline. Apply the strip to the bottom rebate first followed by the sides and then the top; making sure to press firmly to ensure adhesion. Remove backing paper.

Apply a heal bead of Silfix U9 below the Foamsekure XD or Flexistrip to form part of the perimeter bedding

Position Setting Blocks (see BS6262: 1982 clause 7.4)

Centralise the unit in the frame on the setting blocks. Press firmly around the edge of the unit to ensure that contact with the entire surface of the Foamsekure XD or Flexistrip is achieved. Insert location blocks if required.

Apply Silfix U9 around the edge of the unit to completely fill the perimeter void, finishing flush with the face of the unit.

Cut correct lengths of Foamsekure XD or Flexistrip for front bedding, apply to glazing bead with edges 3- 6mm below top of bead and flush with bottom edge of bead, and press firmly to ensure adhesion.

Apply a fillet of Silfix U9 against the existing perimeter filling, finishing with a suitable chamfer to bed the bead.

Place beads against the unit; apply pressure to give the correct compression of back and front bedding. See 5.1, so forcing the silicone to fill the void between the bottom of the tape and platform.

Gun Silfix U9 to fill up the back bedding to the sightline finishing with a slope away from the glass.

The information given in this technical information sheet is based on laboratory tests and experience which we believe to be correct. Properties quoted are typical and do not therefore constitute a specification. In view of the wide range and variability of substrates, we would advise that our product should be tested by the user to establish suitability for its intended application. E &OE.