

GLAZING SYSTEMS FOR REGLAZING DOUBLE GLAZING UNITS

R1 REGLAZING DOUBLE GLAZED UNITS

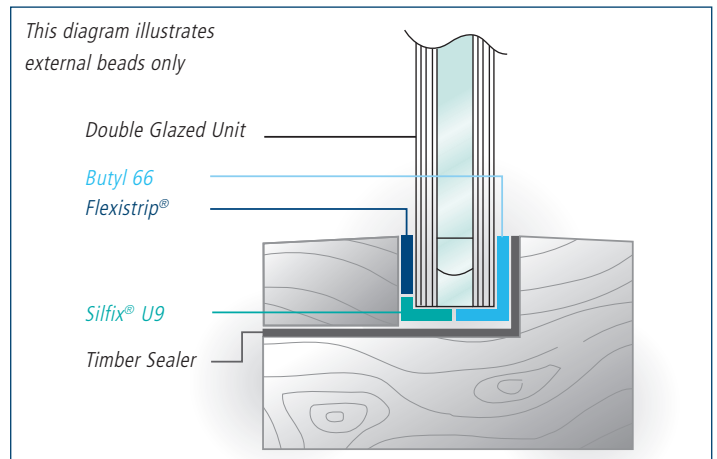
DESCRIPTION

Reglazing is most commonly requested when a unit has 'failed' with moisture visible on the inside face of the glass. Replacement of 'failed' or broken units is a regular part of a glazier's work and although it can be time consuming, the procedure is relatively straightforward. In order that the performance life of the new unit can be maximised, the condition of the rebate upstand must be verified upon removal of the old unit as this will influence the selection of the most appropriate glazing system. We recommend the use of new beads when reglazing. Due regard should also be made to the ease with which the window can be subsequently overcoated with paint or stain after reglazing. The final choice of system will depend therefore on the condition of the rebate upstand and ability of the glazing system to accommodate paints and stains as described below.

These systems assume the use of new beads.

GLAZING SYSTEM R1

- A. For reglazing where on inspection the rebate upstand is damaged after the removal of the old unit - often resulting when hacking out old butyl compound
- B. Where there is a requirement for the glazing system to be overcoated with either water/solvent borne frame coating systems upon completion of work



GLAZING SYSTEM B6

- A. For reglazing where on inspection the rebate upstand has a smooth surface after removal of the old unit
- B. Where there is a requirement for the glazing system to be overcoated with either water/solvent borne paint and stain upon completion of work

If Reglazing System R1 is chosen, follow the Method statement R1.

For System B6, first select the method of application of Flexistrip® from the B6 Method Statement which suits you best and select the appropriate glazing materials. Follow the Deglazing and Preparation Section in the Method Statement for R1. Continue with the Method Statement for B6 from the heading 'GLAZING OF FRAMES'.



GLAZING SYSTEM R1 METHOD STATEMENT

MATERIALS REQUIRED

- Butyl 66 Glazing Compound
- Timber sealer
- Flexistrip® load bearing tape
- Location blocks
- Setting blocks
- Sheradised pins
- Silfix® U9 silicone sealant

USEFUL TOOLS & ACCESSORIES

- Hand held moisture meter
- Glazing shovel
- High powered skeleton gun
- Tooling block
- Flexistrip® trimming knife
- Curved trimming blades
- Glass cleaner

MEASURING THE FRAME OPENING

In order to allow the unit to be fully bedded in glazing material, each frame opening must be measured, the unit size calculated and the required edge clearance (3mm) is taken into account as described below. Ensure that protective edge tapes do not overlap by more than 1mm onto the face of the glass.

*Example: For 16mm upstand required unit size = tight rebate size minus 6mm.
For larger upstand more than 6mm can be subtracted from the tight size.*

DEGLAZING

1. Remove existing external glazing beads taking care not to damage the rebate platform.
2. Carefully remove existing glass taking care to prevent accidents.
3. Carefully remove existing glazing compound from the rebate taking care to prevent damage to the rebate, especially the upstand.
4. Brush all dust and debris from the rebate.

PREPARATION

1. The use of Timber Sealer is essential to ensure proper performance of Butyl 66. Apply two coats of Timber Sealer. Allow to dry before glazing (see picture A).
2. At least one coat of base stain or primer should be applied to all surfaces of new glazing beads, especially the ends. Allow to dry thoroughly.

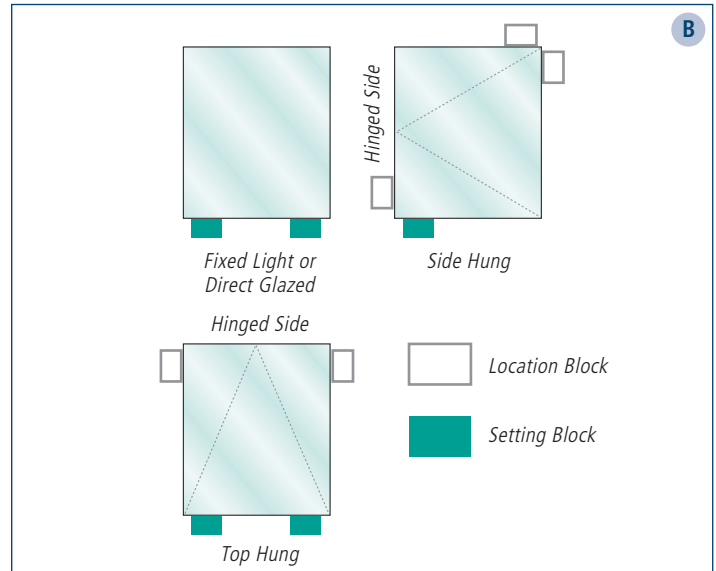


PREPARATION OF THE DOUBLE GLAZED UNIT

1. Inspect the double glazed unit for obvious defects and wipe any dust or loose material off the unit. Cut away any excess edge sealant on the face of the glass.

GLAZING OF FRAMES

1. Check that the unit fits into the frame and can be centralised when



standing the unit on the setting blocks so that there is a 3mm edge clearance at the bottom of the unit. The spacer bar should ideally be level with the sightline or slightly below it.

2. Apply Butyl 66 to the rebate. Insert distance pieces and setting blocks.
3. Centralise the unit in the frame on the setting blocks. Press firmly around the edge of the unit to engage the distance pieces to give a minimum 3mm, maximum 5mm thickness of compound. Insert location blocks if required.
4. Apply Flexistrip® to the face of the unit by running the edge of the paper along the rebate platform so that the Flexistrip® finishes approximately 1mm - 2mm above the bead sightline. Remove the backing paper.
5. Apply Silfix® U9 around the edge of the unit to completely fill the perimeter void, finishing with a suitable fillet of silicone to form the bedding between the glass and bead and the bead and rebate platform.
6. Bed the bead onto the fillet of Silfix® U9. Apply as much pressure as safely possible to compress the Flexistrip® and fix the bead.
7. Trim the external bedding of Flexistrip® with a sharp curved blade, where possible finishing with a smooth chamfer to form a watershed.

FRAME DECORATION & MAINTENANCE

The external face of the reglazed frame is suitable for overcoating immediately after completion of the glazing with either water or solvent borne paints and stains. The internal face of the reglazed frame is suitable for overcoating once the Butyl 66 has formed a skin tough enough to accept the actions of overcoating. Overcoating too soon may cause the Butyl 66 to wrinkle. Regular maintenance of the frame is essential to ensure maximum performance of the glazing system and double glazed unit.